

PARTS CATALOG

Key Switch Unit-A1/A2

Canon

Mar 17 2004

PREFACE

This Parts Catalog contains listings of parts used

Diagrams are provided with the listings to aid the service technician in identifying clearly, the item to be ordered.

Whenever ordering parts, consult this Parts Catalog for all of the information pertaining to each item. Be sure to include, in the Parts Request, the full item description, the item part number, and the quantity.

COPYRIGHT (C) 1999 CANON INC.

Use of this manual should be strictly supervised to avoid disclosure of confidential information.

Contents

Parts List Index

Key Switch Unit-A1/A2 1-1

Key Switch Unit-A1/A2

T10 KEY SWITCH ASSEMBLY 2-1

NUMERICAL INDEX

Key Switch Unit-A1/A2

PARTS NUMBER	FIGURE & KEY NO.	PARTS NUMBER	FIGURE & KEY NO.	PARTS NUMBER	FIGURE & KEY NO
FF2-5915-000	T10 - 1				
FG3-3004-000	T10 - 2				
FG3-3644-000	T10 - 2				
NPN	T10 -				
VS1-5057-002	T10 - 3				
VS1-7177-002	T10 - 3				
XB1-2400-607	T10 - 501				
XB4-6260-807	T10 - 502				

Key Switch Unit-A1/A2

F26-3201-000

F26-3221-000

Contents

T10	KEY SWITCH ASSEMBLY	2-1
-----	---------------------------	-----

FIGURE T10 KEY SWITCH ASSEMBLY

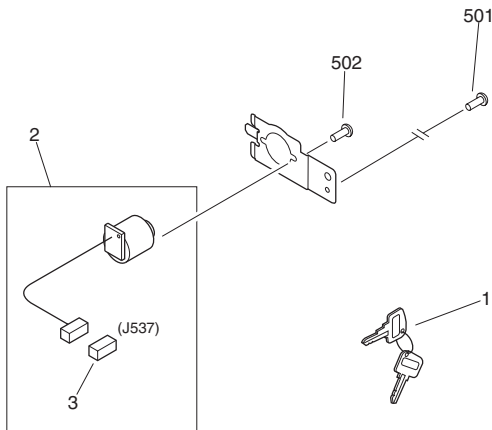


FIGURE & KEY NO.	PARTS NUMBER	R A N K	QTY	DESCRIPTION	SERIAL NUMBER/ REMARKS	S V C
Fig.T10	NPN		RF	KEY SWITCH ASSEMBLY		
1	FF2-5915-000		1	KEY, SWITCH		
2	FG3-3004-000		1	CABLE, KEY SWITCH	A1 J537	
2	FG3-3644-000		1	CABLE, KEY SWITCH	A2 J537	
3	VS1-5057-002		1	CONNECTOR, SNAP TIGHT	A1 J537	
3	VS1-7177-002		1	CONNECTOR, SNAP TIGHT, BK	A2 J537	
501	XB1-2400-607		AR	SCREW,MACH.,TRUSS HEAD,M4X6		
502	XB4-6260-807		AR	SCREW,TAPPING,PAN HEAD,M2.6X8		

Prepared by
OFFICE IMAGING PRODUCTS QUALITY ASSURANCE CENTER
CANON INC.

Canon